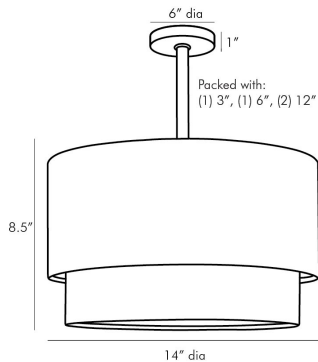


ARTERIOS

NOLAN MINI PENDANT



44906

H: 12.5 IN, Dia: 14.00 IN

Vintage Brass, Bronze

Contract Suitable As Is

The smallest pendant in our Nolan Collection this mini version is the perfect size to hang in a breakfast nook or in multiples over a kitchen island. This mid-century-inspired light features a vintage brass finished iron shade accented with a floating bronze band that creates contrast and delivers dimension to the simple elegant design. Damp-rated, although limited covered outdoor conditions may affect finish.

APPEARANCE

Material	Iron
Finish	Bronze, Vintage Brass
Top Coat/Sealant	false

DIMENSIONS

Pendant	H: 8.5 IN, Dia: 14.00 IN
Minimum Hanging Height	12.5 IN
Maximum Hanging Height	43.5 IN
Canopy	H: 1 IN, Dia: 6.00 IN

WIRING

Rating	Damp
Cord	10 FT, Clear/Silver, SVT
Socket	3, Type B- E12
Maximum Watt	40
Voltage	110-120 V

CERTIFICATIONS

Cerifications	Mexico United States, Canada
---------------	---------------------------------

COMPLIANCY

UL/ETL	Yes
RoHS	true

SHIPPING

Product Weight	8.5 LBS
Gross Weight 1	14.25 LBS
Shipping Box 1	H: 17 IN, L: 19 IN, W: 18 IN

REPLACEMENT PARTS

Replacement Part 1	PIPE-212
Replacement Part 1 Dim	(1) 3", (1) 6" & (1) 12"
Replacement Part 2	CANOPY-407
Replacement Part 2 Dim	1" x 5.75"

CONTRACT

Contract Suitable	true
-------------------	------